

VRX-4S – 4 Port SD/SDTI/DVB-ASI Video Module

VRX-4S – 4 Port SD/SDTI/DVB-ASI Video Module

The VRX-4S module is a four port video receiver supporting SD-SDI, SDTI or DVB-ASI signals.

KEY FUNCTIONS:

- External interface to SD/SDTI/DVB-ASI user circuit
- Internal electrical interface to MD8000 SW-CNT modules

KEY FEATURES:

- Outputs 1-4 input signals
- Front Panel LED indicators for all four inputs
- SD-SDI output: 525i (59.94Hz), 625i (50Hz), SMPTE 259M. Can carry up to 8 audio channels
- DVB- ASI output: MPEG2-TS, operates in byte or burst mode
- Granular bandwidth allocation
- Forward Error Correction (FEC)
- Four 75 ohm electrical inputs, BNC connectors
- Selectable VLAN priority

APPLICATIONS:

- Carrier Class Media Networks
- Flawless Contribution Video-Transport
- High Performance Studio Interconnects
- Reliable Content Delivery Systems
- Integrated Live, Recorded and File-Based Communications

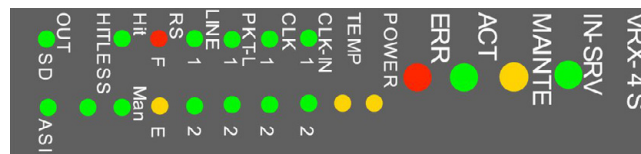
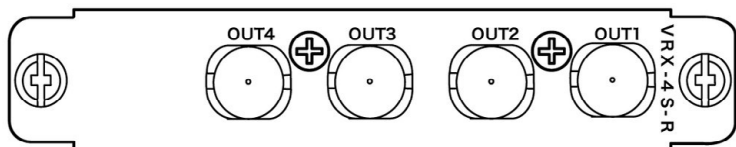
The VRX-4S module is a four port video receiver supporting SD-SDI, SDTI or DVB-ASI signals. As a receiver, the VRX-4S accepts Ethernet packets from the MD8000 Switch Controller (SW-CNT) and sends them to the appropriate video output ports. The four Ethernet streams that terminate on this module can originate anywhere in the MD8000 network. Each output port has the same functionality as a VIF-1Sch module.

The VRX-4S provides robust Forward Error Correction (FEC) and Lossless/Hitless path protection switching for reliable signal transport. DVB-ASI output signals are reconstructed from the transparent Ethernet transport of MPEG2TS. Nulls within the ASI wrapper are re-inserted matching the original DVB-ASI signal. Only CBR (Constant Bit Rate) is supported for the MPEG2 DVB-ASI transport stream.

The front panel of the VRX-4S module features a comprehensive set of LEDs for monitoring the status and health of incoming video streams. Using SNMP, the module is also fully manageable by Media Links' NMS systems.



MD8000 - VRX-4S – 4 Port SD/SDTI/DVB-ASI Video Module

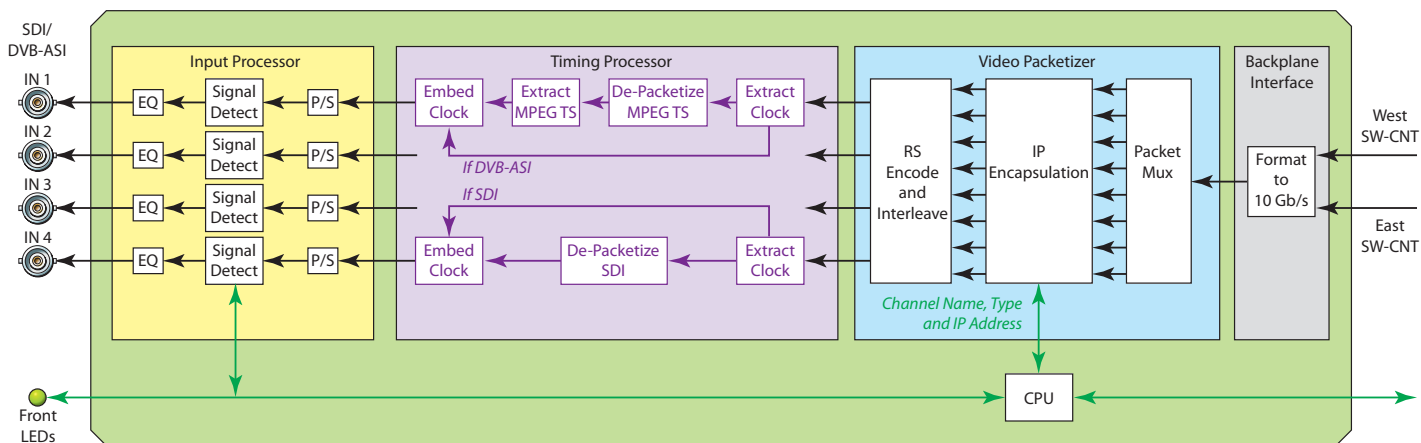


NAME	TYPE	DESCRIPTION
OUT1	BNC (75 Ohm)	SD-SDI or DVB-ASI Signal Output 1
OUT2	BNC (75 Ohm)	SD-SDI or DVB-ASI Signal Output 2
OUT3	BNC (75 Ohm)	SD-SDI or DVB-ASI Signal Output 3
OUT4	BNC (75 Ohm)	SD-SDI or DVB-ASI Signal Output 4

Rear Board Connectors

NAME	CONDITION TO ILLUMINATE
IN-SRV	● Status Monitored
MAINT	● Under Maintenance
ACT	● Normal Operation
ERR	● Board Failure Detected
POWER	● Board Power Voltage Low (Warning)
TEMP	● Board Temperature High (Warning)
CLK-IN/2	● Unused
CLK1/2	● Unused
PKT-L1/2	Input stream of the selected channel ● 1: Packet input from Line 1 ● 2: Packet input from Line 2
LINE 1/2	● SWCNT for the selected channel 1: SWCNT #1, 2: SWCNT #2
RS-F/E	● RS-F: Uncorrectable Error Detected ● RS-E: Correctable Error Detected
Hit/Man	● Hit: Hitless Switching Mode ● Man: Manual Switching Mode
Hitless	● Hitless Switching can be enabled
OUT 1-4 SD/ASI	● SD: SD-SDI ● ASI: DVB-ASI

Front Panel LEDs



MD8000 - VRX-4S - 4 Port SD/SDTI/DVB-ASI Video Module Block Diagram

FUNCTIONAL SPECIFICATIONS:

Output	SD-SDI	Format	625i (50 Hz), 525i (59.94 Hz); SMPTE 259M
		Audio / ANC	Full VANC / HANC
		Interface	SMPTE 259M
	SDTI	Interface	SMPTE 305M
	DVB-ASI	Format	MPEG2TS
	Max. Cable Length		200 m for SDI, 100 m for DVB-ASI (at 5C-2V coax cable)
	All	Signal Amplitude	800 mVp-p ± 10% (75 Ohm Load)
		Rise Time	0.4 - 1.5 ns (at 20% - 80% amplitude)
		Fall Time	0.4 - 1.5 ns (at 20% - 80% amplitude)
		ABS (Rise-Fall)	0.5 ns or less
		impedance	75 Ohm, unbalanced
		Return Loss	15 dB or more (5 MHz - 270 MHz)
		DC Offset	0.0 V ± 0.5 V
	Jitter	Timing: 0.2 UI or less Alignment: 0.2 UI or less	

ORDERING INFORMATION

MODEL	ORDER NUMBER	ORDER CODE
SD/SDTI/DVB-ASI 4 Port Uni-Directional Video Module RX	MD801010	V-RX-4Sch-F
4 Port DVB-ASI Decoder Module RX with COP3 Encapsulation, FEC & ARP/GARP	MD801040	V-RX-4Sch-F(2022)

Media Links (Headquarters)
Kawasaki Tech Center 18F
580-16 Horikawa-cho,
Saiwai-ku, Kawasaki-shi,
Kanagawa 212-0013 Japan
Phone: +81 44-589-3440
query@medialinks.co.jp

Media Links Americas
431-C Hayden Station Road
Windsor, CT 06095
USA
Phone: +1 860-206-9163
Fax: +1 860-206-9165
info@medialinks.com

Media Links Australia
2-12 Rokeby Street,
Collingwood, VIC 3066,
Australia
Phone: +61 3-9017-0175
Fax: +61 3-8456-6339
info@medialinksaustralia.com.au

Media Links EMEA
Thremhall Park
Start Hill, Bishop's Stortford,
Herts CM22 7WE
United Kingdom
Phone: +44(0)1279 874371
emea_info@medialinks.com

MEDIA LINKS®
Media Defined Networking®

www.medialinks.com