

2STM1-L – 2 Port STM-1/OC-3 Line Module

2STM1-L – 2 Port STM-1/OC-3 Line Module

Compatible with both SDH and SONET networks, the two 2 port STM1/OC3 module accepts one or two STM1/OC3 signals, encapsulates them into Ethernet frames with or without robust Forward Error Correction (FEC) and transfers them to the MD8000 SW-CNT modules.

KEY FUNCTIONS:

- External interface to STM1/OC3 user circuits
- Optical Interface
- Transparent with Robust FEC
- Hitless Path Failure Protection

KEY FEATURES:

- 2 Fully Independent STM1/OC3 Circuits
- Automatic Rate Negotiation

APPLICATIONS:

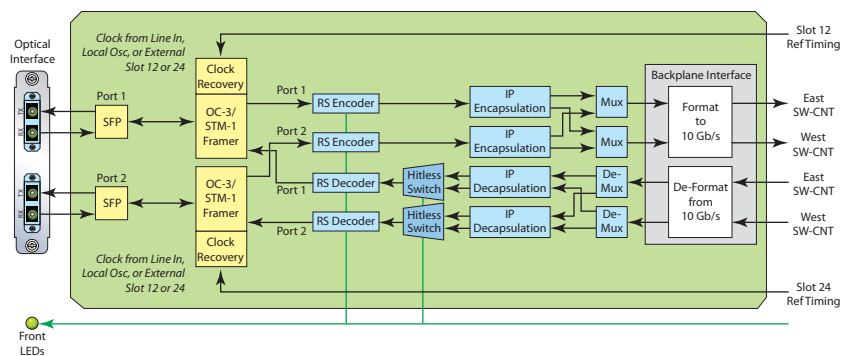
- Telephony Network Extension
- Compressed Video Transport

Compatible with both SDH and SONET networks, the two 2 port STM1/OC3 module accepts one or two STM1/OC3 signals, encapsulates them into Ethernet frames with or without robust Forward Error Correction (FEC) and transfers them to the MD8000 SW-CNT modules.

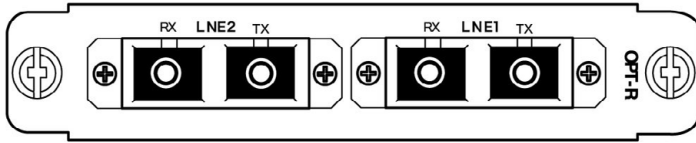
Additionally, the 2 port STM1 module accepts Ethernet packets transferred from the SW-CNT and provides one or two unique STM1/OC3 output signals.

Two completely independent bi-directional STM1/OC3 channels ensure that data on the individual ports is kept separate, permitting operation with total isolation.

Media Links Lossless Hitless fiber failover protection switching is also available for the transported STM1/OC3 signals.

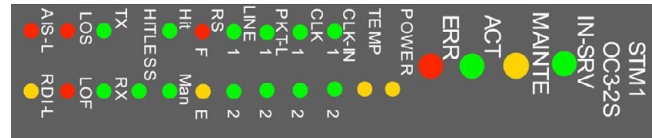


MD8000 - 2STM1-L – 2 Port STM-1/OC-3 Line Module Block Diagram



NAME	TYPE	DESCRIPTION
LINE 1 TX	SC	SDH/SONET Output 1
LINE 1 RX	SC	SDH/SONET Input 1
LINE 2 TX	SC	SDH/SONET Output 2
LINE 2 RX	SC	SDH/SONET Input 2

Rear Board Connectors



NAME	CONDITION TO ILLUMINATE
IN-SRV	● Status Monitored
MAINT	● Under Maintenance
ACT	● Normal Operation
ERR	● Board Failure Detected
POWER	● Board Power Voltage Low (Warning)
TEMP	● Board Temperature High (Warning)
CLK-IN/2	● Clock Source Present. Receiving from: 1: SWCNT#1; 2: SWCNT#2
CLK1/2	● Unused
PKT-L1/2	Input stream of the selected channel ● 1: Packet input from Line 1 ● 2: Packet input from Line 2
LINE1/2	SWCNT for the selected channel ● 1: SWCNT #1; 2: SWCNT #2
RS-F/E	● RS-F: Uncorrectable Error Detected ● RS-E: Correctable Error Detected
Hit/Man	● Hit: Hitless Switching mode ● Man: Manual Switching mode
Hitless	● Hitless Switching can be enabled
TX/RX	● TX: Signal synchronized ● RX: Loss of Signal detected
LOS/LOF	● LOS: Loss of Signal detected ● LOF: Loss of Frame detected
AIS-L/RDI-L	● AIS-L: Path Alarm Signal detected ● RDI-L: Remote Defect Indication detected

Front Panel LEDs

FUNCTIONAL SPECIFICATIONS:

Item			-LX (15 km)	
Physical Characteristics	Transport Media	Single mode Fiber		
	No. of core wires used	2 (1 for In and 1 for Out)		
	Connector Type	SC		
Optical Characteristics	Data Rate	155.52 Mbps		
	Wavelength	1310 nm		
	Input Level	Max	- 3.0 dBm	
		Min	- 19.9 dBm	
	Output Level	Max	- 3.0 dBm	
Min		- 11.5 dBm		

ORDERING INFORMATION

MODEL	ORDER NUMBER	ORDER CODE
Dual Port STM-1 clear channel Line Card, w/o Optics	MD801025	STM1-2Sch-F(no opt)

OPTICAL PLUG-IN (SFP)

MODEL	ORDER CODE
OC3 / STM1 SFP Transceiver Optics: 1310nm, 15km Optical Budget	SFP1310-155-15

Media Links (Headquarters)
Kawasaki Tech Center 18F
580-16 Horikawa-cho,
Saiwai-ku, Kawasaki-shi,
Kanagawa 212-0013 Japan
Phone: +81 44-589-3440
query@medialinks.co.jp

Media Links Americas
431-C Hayden Station Road
Windsor, CT 06095
USA
Phone: +1 860-206-9163
Fax: +1 860-206-9165
info@medialinks.com

Media Links Australia
2-12 Rokeby Street,
Collingwood, VIC 3066,
Australia
Phone: +61 3-9017-0175
Fax: +61 3-8456-6339
info@medialinksaustralia.com.au

Media Links EMEA
Thremhall Park
Start Hill, Bishop's Stortford,
Herts CM22 7WE
United Kingdom
Phone: +44(0)1279 874371
emea_info@medialinks.com