

Four Port Fast Ethernet Module Adapts Local 10/100 BaseT circuits to the Wide Area Network via the MD8000 SW-CNT

FUNCTIONS

- External interface to 10/100 BaseT user circuits
- Electrical Interface
- Transparent with Robust FEC
- Hitless Path Failure Protection

FEATURES

- 4 fully Independent Ethernet Circuits
- CAT5 Interface
- Automatic Rate Negotiation

APPLICATIONS

- LAN Extension
- WAN Access Circuit
- Network Management and Telemetry
- File Transfer

MD8000-FE-4S

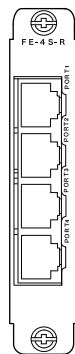
4 Port 10/100 BaseT Fast Ethernet Module

The FE-4S module accepts 1–4 10/100 BaseT signals, encapsulates them into Ethernet frames with or without robust Forward Error Correction (FEC) and transfers them to the MD8000 SW-CNT modules.

Additionally, the FE-4S module accepts Ethernet packets transferred from the SW-CNT and provides 1–4 unique 10/100 BaseT output signals.

Four completely independent bi-directional Ethernet channels ensure that data on the individual ports is kept separate, permitting operation at full wire speed rates with total isolation.

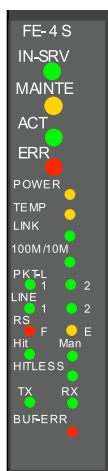
All 4 ports support Full-Duplex/Auto-Negotiation. Bandwidth for individual ports can be provisioned at the following rates: 1Mbps, 2.5Mbps, 5Mbps, 10Mbps, 20Mbps, 30Mbps, 40Mbps, 50Mbps, 75Mbps and 100Mbps.



Name	Type	Discription
PORT1~4	RJ-45	Ethernet In/Out ports 10BASE-T/100BASE-TX Auto Negotiation

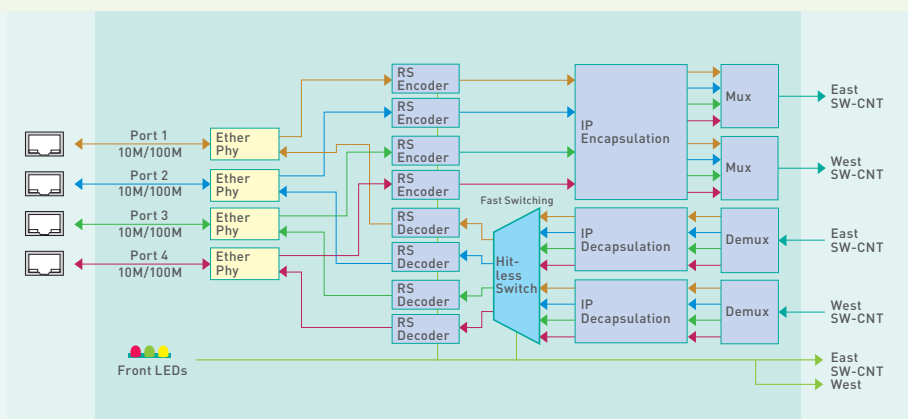
Rear Board Connectors

Name	Condition to illuminate
IN-SRV	● Status Monitored
MAINTE	● Under Maintenance
ACT	● Normal Operation
ERR	● Board Failure Detected
POWER	● Board Power Voltage Low (Warning)
TEMP	● Board Temperature High (Warning)
LINK	● Link is established
100M/10M	● Linked at 10Mbps
PKT-L1/2	Input stream of the selected channel ● 1: Packet input from Line 1 ● 2: Packet input from Line 2
LINE1/2	● SWCNT for the selected channel 1: SWCNT #1; 2: SWCNT #2
RS-F/E	● RS-F: Uncorrectable Error Detected ● RS-E: Correctable Error Detected
Hit/Man	● Hit: Hitless Switching mode ● Man: Manual Switching mode
HITLESS	● Hitless Switching can be enabled
TX/RX	● TX: Transmitting frames ● RX: Receiving frames
BUF-ERR	● Buffer Overflow



Front Panel LED

MD8000-FE-4S



Blockdiagram

SPECIFICATIONS

Ethernet	Data Rate	10 Mbps / 100 Mbps
	Access Method	CSMA/CD Full-Duplex
	Frame Structure	IEEE802.3ab
	Transmission Method Transmission Code	<10BASE-T> Transmission Method = Base Band Transmission Code = Manchester <100BASE-TX> Transmission Method = Base Band Transmission Code = 4B/5B+MTL-3
	Transmission Media	<10BASE-T> UTP CAT3 or higher <100BASE-TX> UTP CAT5 or higher
	Max Cable Length	100 m
Encapsulation	Network Protocol	IPv4
	Packet Size	1500 Bytes (Including the IP Header)

Specifications subject to change

ORDERING INFORMATION

ORDER NR

ORDER CODE

4 Port 10/100BT Fast Ethernet Module (4 duplex service)	MD801008	FE-4Sch-F
---	----------	-----------

Media Links, INC
1294 Blue Hills Avenue,
Bloomfield, CT 06002,
USA
Phone +1 860-206-9163
Fax +1 860-206-9165
info@medialinks.com

Media Links Systems GmbH
Röntgenstrasse 3
D-64291 Darmstadt
Germany
Phone +49 6151-9385-0
Fax +49 6151-9385-35
info@medialinks.eu

MEDIA LINKS®

www.medialinks.com