

MEDIA LINKS®
Pixel Perfect Delivery

Eight Port E1/T1 Module Adapts Local E1 or T1 circuits to the Wide Area Network via the MD8000 SW-CNT

FUNCTIONS

- External interface to E1 or T1 user circuits
- Clear Channel Transport
- Transparent with Robust FEC
- Hitless Path Failure Protection

FEATURES

- 4 Independent Circuits 2x E1 or T1
- RJ45 Connector Interface

APPLICATIONS

- LAN Extension
- WAN Access Circuit
- Network Management and Telemetry
- File Transfer

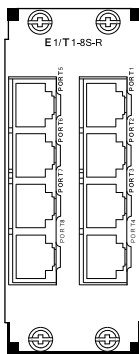
MD8000-E1/T1-8S

8 Port E1/T1 Line Module

The T1/E1 module can be configured to provide either local T1 or E1 interface. 8 local interface ports are provided. The module encapsulates each pair of local transmit interfaces into Ethernet frames with or without robust Forward Error Correction (FEC) and transfers them to the MD8000 SW-CNT modules.

Additionally, the E1/T1-8S module accepts 4 Ethernet streams transferred from the SW-CNT and provides 8 E1/T1 signals to the output connectors.

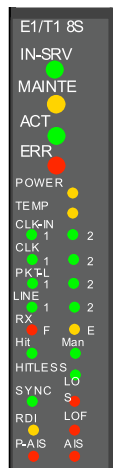
The module provides uni-directional control of 8 E1/T1 services over the WAN. Two E1/T1 services are encapsulated into a single Ethernet stream in order to minimize delay and maximize bandwidth efficiency. The paired E1/T1 signals must be connected to the same destination.



Name	Type	Description
PORT1~8	RJ-45	E1 or T1 signal Input/Output

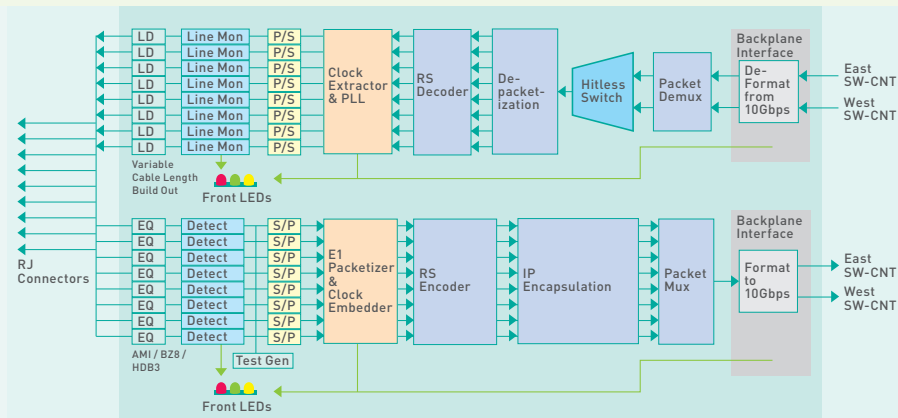
Rear Board Connectors

Name	Condition to illuminate
IN-SRV	● Status Monitored
MAINT	● Under Maintenance
ACT	● Normal Operation
ERR	● Board Failure Detected
POWER	● Board Power Voltage Low (Warning)
TEMP	● Board Temperature High (Warning)
CLK-IN1/2	● Unused
CLK1/2	● Unused
PKT-L1/2	Input stream of the selected channel ● 1: Packet input from Line 1 ● 2: Packet input from Line 2
LINE1/2	● SWCNT for the selected channel 1: SWCNT #1; 2: SWCNT #2
RX-F/E	● RX-F: Uncorrectable Error Detected ● RX-E: Correctable Error Detected
Hit/Man	● Hit: Hitless Switching mode ● Man: Manual Switching mode
HITLESS	● Hitless Switching can be enabled
SYNC/LOS	● SYNC: Signal synchronized ● LOS: Loss of Signal detected
RDI/LOF	● RDI: Remote defect (RDI) detected ● LOF: Loss of Frame detected
P-AIS/AIS	● P-AIS: Path AIS detected ● AIS: Alarm Indication Signal detected



Front Panel LED

MD8000-E1/T1-8S



Blockdiagram

SPECIFICATIONS

Parameter		E1	T1
Bit Rate		2.048 Mbps \pm 130 ppm	1.544 Mbps \pm 200 bps
Signal Format		AMI or HDB3 line coding	AMI or B8ZS line coding
Input	Level	0.5 to 3V peak	12.6 to 17.9 dBm
	Line Build Out	0 to 199.6 m., automatic	0 to 655 ft, automatic
	Impedance	120 ohm \pm 5%, balanced	100 ohm, balanced
Output	Level	2 to 3V peak	17.5 \pm 1 dB
	Pulse Waveform	CCITT (ITU) G.703	ANSI T1.102
	Line Build Out	0 to 199.6 m., automatic	0 to 655 ft, selectable
	Impedance	120 ohm \pm 5%, balanced	100 ohm, balanced
Jitter Tolerance		CCITT (ITU) G.823	Bellcore TR-TSY-000499
Delay		7 ms end to end with or without FEC	7 ms end to end with or without FEC
Bandwidth		4 Mb	3 Mb
Connector		RJ-45	RJ-45

Specifications subject to change

ORDERING INFORMATION

ORDER NR

ORDER CODE

Dual Wide 8 Port bi-directional E1 (8 duplex services) - occupies two slots

MD801005

E1/T1-8Sch-F

Media Links, INC
1294 Blue Hills Avenue,
Bloomfield, CT 06002,
USA
Phone +1 860-206-9163
Fax +1 860-206-9165
info@medialinks.com

Media Links Systems GmbH
Röntgenstrasse 3
D-64291 Darmstadt
Germany
Phone +49 6151-9385-0
Fax +49 6151-9385-35
info@medialinks.eu

MEDIA LINKS®

www.medialinks.com