

Two Port Module Adapts Local STM1 or OC3 circuits to the Wide Area Network via the MD8000 SW-CNT

**FUNCTIONS**

- External interface to STM1 / OC3 user circuits
- Optical Interface
- Transparent with Robust FEC
- Hitless Path Failure Protection

**FEATURES**

- 2 Fully Independent STM1 / OC3 Circuits
- Automatic Rate Negotiation

**APPLICATIONS**

- Telephony Network Extension
- Compressed Video Transport

# MD8000-2STM1-L

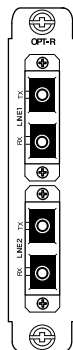
## 2 Port STM1/OC3 Line Module

The 2 port STM1/OC3 module accepts one or two STM1/OC3 signals, encapsulates them into Ethernet frames with or without robust Forward Error Correction (FEC) and transfers them to the MD8000 SW-CNT modules.

Additionally, the 2 port STM1 module accepts Ethernet packets transferred from the SW-CNT and provides one or two unique STM1/OC3 output signals.

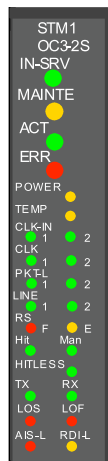
Two completely independent bi-directional STM1/OC3 channels ensure that data on the individual ports is kept separate, permitting operation with total isolation.

Media Links Lossless Hitless fiber failover protection switching is also available for the transported STM1/OC3 signals.



Name	Type	Description
LINE1 TX	SC	SDH/SONET Output 1
LINE1 RX	SC	SDH/SONET Input 1
LINE2 TX	SC	SDH/SONET Output 2
LINE2 RX	SC	SDH/SONET Input 2

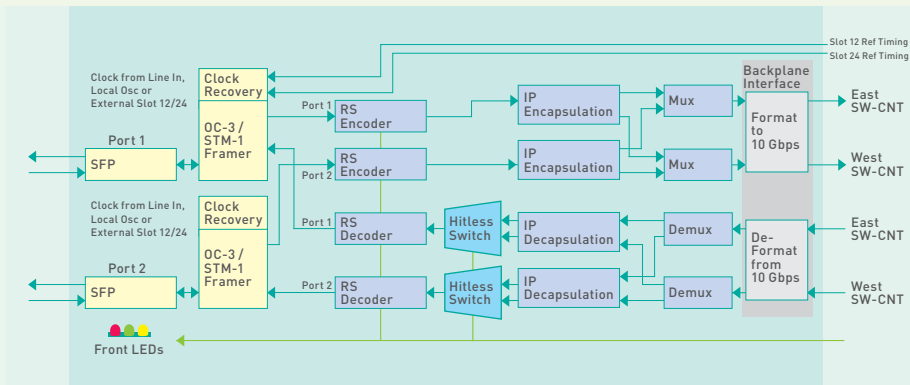
Rear Board Connectors



Name	Condition to illuminate
IN-SRV	● Status Monitored
MAINT	● Under Maintenance
ACT	● Normal Operation
ERR	● Board Failure Detected
POWER	● Board Power Voltage Low (Warning)
TEMP	● Board Temperature High (Warning)
CLK-IN1/2	Clock Source Present. Receiving from: ● 1: SWCNT#1; 2: SWCNT#2
CLK1/2	● Unused
PKT-L1/2	Input stream of the selected channel ● 1: Packet input from Line 1 ● 2: Packet input from Line 2
LINE1/2	SWCNT for the selected channel ● 1: SWCNT #1; 2: SWCNT #2
RS-F/E	● RS-F: Uncorrectable Error Detected ● RS-E: Correctable Error Detected
Hit/Man	● Hit: Hitless Switching mode ● Man: Manual Switching mode
HITLESS	● Hitless Switching can be enabled
TX/RX	● TX: Signal synchronized ● RX: Loss of Signal detected
LOS/LOF	● LOS: Loss of Signal detected ● LOF: Loss of Frame detected
AIS-L/RDI-L	● AIS-L: Path Alarm Signal detected ● RDI-L: Remote Defect Indication detected

Front Panel LED

# MD8000-2STM1-L



Blockdiagram

## SPECIFICATIONS

Parameter		-LX (15 km)	
Physical Characteristics	Transport Media	Single mode Fiber	
	No. of core wires used	2 (1 for In and 1 for Out)	
	Connector Type	SC	
Optical Characteristics	Data Rate	155.52 Mbps	
	Wave Length	1310 nm	
	Input Level	Max	-3.0 dBm
		Min	-19.9 dBm
	Output Level	Max	-3.0 dBm
Min		-11.5 dBm	

Specifications subject to change

## ORDERING INFORMATION

## ORDER NR

## ORDER CODE

Dual Port STM-1 clear channel Line Card, w/o Optics	MD801025	STM1-2Sch-F(no opt)
---	----------	---------------------

## OPTICAL PLUG-IN [SFP]

OC3 / STM1 SFP Transceiver Optics: 1310 nm, 15 km Optical Budget	SFP1310-155-15
--	----------------

Media Links, INC  
 1294 Blue Hills Avenue,  
 Bloomfield, CT 06002,  
 USA  
 Phone +1 860-206-9163  
 Fax +1 860-206-9165  
 info@medialinks.com

Media Links Systems GmbH  
 Röntgenstrasse 3  
 D-64291 Darmstadt  
 Germany  
 Phone +49 6151-9385-0  
 Fax +49 6151-9385-35  
 info@medialinks.eu



www.medialinks.com