

## MD101 Series Portable Video Processing Series

### MD101-QP HD/SD Quad Display Processor

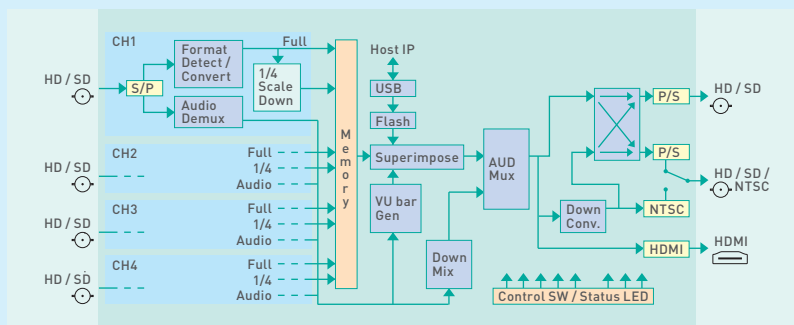
The **MD-101QP is a quad screen display processor** that combines HD/SD video signals from up to 4 channels and allows monitoring on one screen, while still housed in the compact, light-weight enclosure featured by the MD101 Series. The MD101-QP allows mixed input of HD/SD-SDI signals, as well as monitoring screen display of non-video information, such as audio levels superimposed on SDI signals, designated source titles, and time codes. In addition to simultaneous quad display, any desired channel can also be displayed on a full screen.

**Two HD-SDI, SD-SDI, or NTSC composite signal display outputs** can be selected simultaneously and provided to a connected monitor. An HDMI interface is also included for use with consumer LCDs and other displays, allowing effective use of a wide variety of monitoring equipment.

#### SPECIFICATIONS

Function	Display on a screen up to 4 channels; HD/SD-SDI video signals	
Inputs	HD-SDI: 1080i/59.94, 720p/59.94	4x BNC
	SD-SDI: 480i/59.94	4x BNC
Outputs	HD-SDI HD: 1080i/59.94	2x BNC
	SD-SDI: 480i/59.94	2x BNC
	NTSC: SDI or NTSC Switchable	1x BNC
	HDMI HD: 1080i/59.94	HDMI ver.1.2
Op. Temp.	0 – 40°C	
Power Sup.	DC 12V internal (external AC/DC adapter)	
Dimensions	30 x 168 x 101 mm (1.2" x 4" x 6.6")	

Specifications subject to change



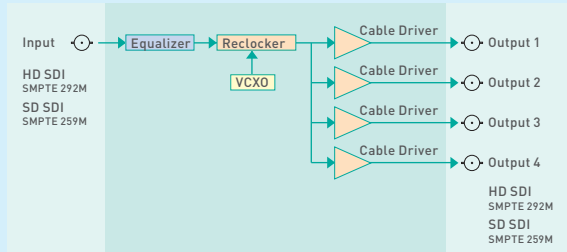
# MD101-DA

## HD/SD Re-clocking DA

### SPECIFICATIONS

Functions	HD/SD-SDI auto-sensing and re-clocking Video Distribution Amplifier 143 Mbps / 1.485 Gbps Multi-rate SDI Video Distribution Amplifier
Inputs	1 Multi-Rate SDI 143 Mbps – 1.485 Gbps
Outputs	4 Multi-Rate SDI 143 Mbps – 1.485 Gbps
Operating Temp.	0 – 40°C
Power Supply	DC 12V internal (external AC/DC adapter)
Dimensions	30 x 168 x 101 mm (1.2" x 4" x 6.6")

Specifications subject to change



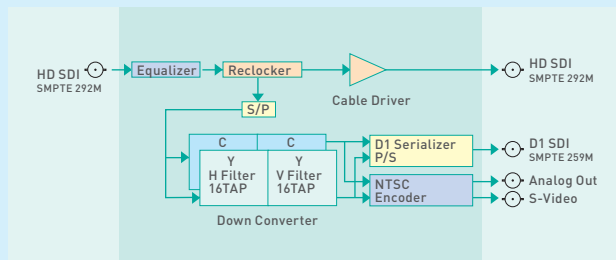
# MD101-DN

## HD Down Converter

### SPECIFICATIONS

HDTV Formats	1080i/59.94Hz, 720p/59.94Hz, 24PsF/23.98Hz (Auto Detection)	
User Controls	Aspect Ratio Control: Side Crop, Letter Box, Squeeze, Safe Zone Markers (90%, 88%, 80%, ALL) Color Bar, Monochrome, 50% luminance, 75% color bar outputs, Flat Mode or Enhanced Mode	
Inputs	HD-SDI (SMPTE 292M)	1x BNC
Outputs	HD Loop Through	1x BNC
	SD-SDI (SMPTE 259M)	1x BNC
	Analog NTSC	1x BNC, 1x S-Video
Operating Temp.	0 – 40°C	
Power Supply	DC 12V internal (external AC/DC adapter)	
Dimensions	30 x 168 x 101 mm (1.2" x 4" x 6.6")	

Specifications subject to change



# MD101-VS

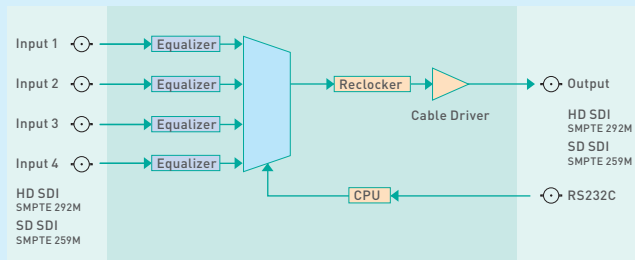
## HD/SD Multi-rate 4 x 1 Video Switch

**MD101-VS is a small four input multi-rate switch** that will support HD & SD seamlessly. The MD101 enclosure is compact and durable with recessed connectors for protection against damage or dirt. The MD101 can be powered by its 12V DC power supply, external AC/DC adapter or optional battery pack that can be mounted directly on the unit and connected internally. The compactness and durability of the MD101 make it ideal for remote and mobile installations as well as broadcast studios and post production suites.

### SPECIFICATIONS

Control	Vertical Interval Switching
	RS 232 port for remote control
	Restored settings upon power up
	Front Panel selectable switches
Input	4 Multi-Rate SDI 143Mbps – 1.485 Gbps
	Supports SMPTE 259M / 292M 270 Mbps, 1.485 Gbps Input
Synchronization	Standard synchronization signal input BNC type
Output	HD/SD-SDI output BNC type
Dimensions	30 x 168 x 101 mm (1.2" x 4" x 6.6")
Rack mount	19" Rack mount shelf available
Weight	Approximately 700g
Power consumption	Approximately 10W (AC adapter standard)
Power Supply	DC 12V CANON connector and AC/DC adapter, battery pack adapter available
	Optional Camera battery mounting bracket

Specifications subject to change



# MD101-HDVCAMO

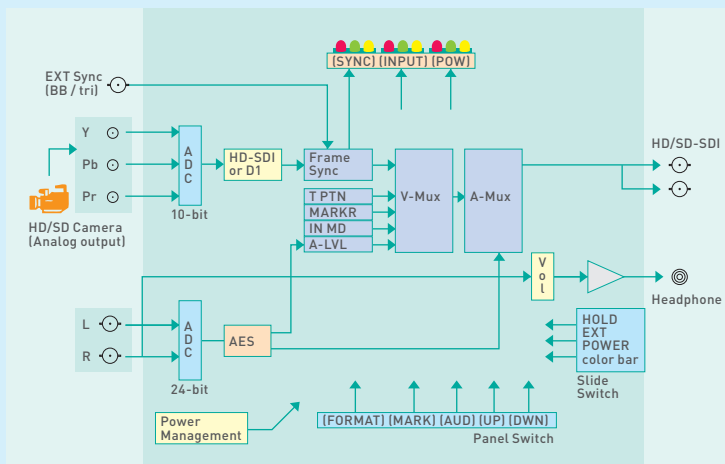
## Component to HD-SDI Convert

**MD101-HDVCAMO converts Component analog signals** into HD-SDI. A built in audio input supports embedding the audio into the HD-SDI signal. MD101-HDVCAMO utilizes the MD101's compact body design, which features a small size and lightweight solution.

### SPECIFICATIONS

Input	HD/SD analog component (Y/Pb/Pr) D terminal	
Input format	HD	1080i and 720p
	SD	525i
Synchronization	Standard synchronization signal input BNC type	
Audio Input	Analog audio RCA type (L + R)	
Output	HD/SD-SDI output BNC type	
Dimensions	30 x 168 x 101 mm (1.2" x 4" x 6.6")	
Rack mount	19" Rack mount shelf available	
Weight	Approximately 700g	
Power consumption	Approximately 10W (AC adapter standard)	
Power Supply	DC 12V CANON connector and AC/DC adapter, battery pack adapter available	
	Optional Camera battery mounting bracket	

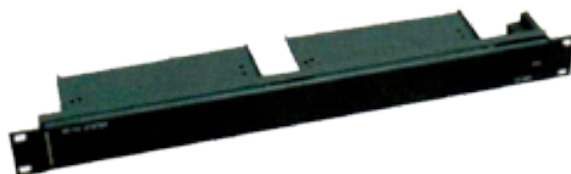
Specifications subject to change



## MD101 Series Accessories

### UC201 and UC202 Rack Mounts

The **UC201 and UC202 rack mount panels** house up to 2 units. The 1 RU panel fits any 19 inch rack and provides an efficient and space saving alternative to the stand alone, portable design of the MD101.



### MD101 Carrying Case

The **MD101 Carrying case** is a handy item for transporting any of the MD101 Series units.



### MD101 Battery Adapter Mount

All **MD101 products are available with optional mounting adapters** for SONY™ and AntonBauer™ batteries. The adapters are custom built, mounted and internally connected by Media Links.



Media Links, INC  
1294 Blue Hills Avenue,  
Bloomfield, CT 06002,  
USA  
Phone +1 860-206-9163  
Fax +1 860-206-9165  
info@medialinks.com

Media Links Systems GmbH  
Röntgenstrasse 3  
D-64291 Darmstadt  
Germany  
Phone +49 6151-9385-0  
Fax +49 6151-9385-35  
info@medialinks.eu

**MEDIA LINKS®**

www.medialinks.com