

# MEDIA LINKS®

Pixel Perfect Delivery

## Unmatched Performance and Reliability for Transporting High Quality, Multi-channel, Multi-format Video

### FUNCTIONS

- Multi-channel Video/Data Transport
- Compact, Flexible, Scalable Architecture
- Hot Swappable Fans, Modules, Power Supplies
- SNMP Management

### FEATURES

- HD/SD/ASI video, STM1 and 10/100 Base-T tributary modules
- Up to 32 channels of HD/SD/ASI on a single fiber
- Forward Error Correction on all signals
- Integrated Fiber Protection Switch and CWDM/DWDM filter
- No external fiber jumpers required
- In-band Remote Frame Management
- Carrier Class Design

### APPLICATIONS

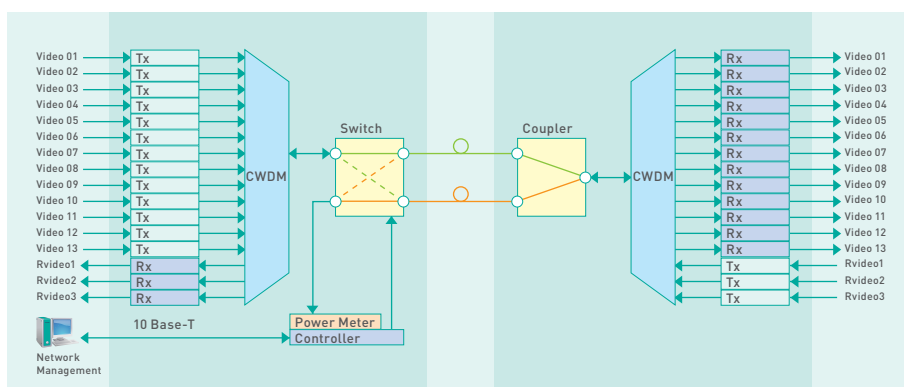
- Local Loop Multi-channel HD, SD, ASI and data transport over single fiber with CWDM mux and fiber path Protection Switching
- Long Reach Multi-channel HD, SD, ASI and data transport over single fiber with DWDM mux and fiber path protection switching
- Point-to-point / multi-point video and data contribution networks for multi-venue sporting events

## MD003-3RU Multi Frame

The MD003-3RU™ frame provides a complete multi-channel, multi-service transport solution. This compact unit integrates video/data to fiber transmitters and receivers, in-band network management, CWDM or DWDM multiplexing and fiber protection switching into a single frame system. The use of internal, modular plug-in fiber connectors eliminates multiple frames, external fiber patch cords and patch panels and provides an extremely robust solution. The frame is available in a wide variety of configurations with or without fiber multiplexing and protection switching and includes 4, 8, 16 or 32 wavelength channels.

The 3RU frame is designed for MD003™ series transport modules and offers tremendous scalability by providing 16 slots for high quality, HD-SDI, SD-SDI, DVB-ASI, and SDTI video signals, OC3/STM1 telecom signals, and Ethernet data signals over point-to-point fiber optic links.

Supports unique passive rear panel modules that provide the specific connectors necessary by the mating electronic module. Hot swappable redundant power supplies are available as well as a frame controller for remote in-band management, SNMP, web browser interface and individual alarm contacts.



# MD003-3RU

## SPECIFICATIONS

General Specifications	Dimensions	H x W x D	5.25" x 17.5" x 17.5" (19" rack unit, front and mid-mount ears)
	Weight	lbs / kg	less than 40 / 25 (fully populated)
	Operating Temperature	°C	0 to +55
	Slots	17 slots	16x MD003 cards, 1 controller card
	Fans	6 fans	hot swappable
	Power Supplies	Dual redundant, hot swappable	
	Fuses	2A, 250V time delay, 5 x 2mm, 1 line & neutral	
AC Specifications	Input Voltage	90 to 240 VAC (50/60 Hz), IEC connectors	
	Power Consumption	250 watts (fully populated)	
	Module Load	12 watts per slot	
DC Specifications	Input Voltage	-32 to -60 VDC	
Connectors	Fiber Optic Connectors	1, 2, 3 SC connectors or up to 16 LC connectors	
	Alarm Contact Closures	DB 25 connector, N/O contacts for fans, power supplies and modules	
Fiber Mux/Demux Options	Direct Fiber Output from each Slot, Internal 4/8/16 ch. CWDM, Internal 8/16/32 ch. DWDM, Internal Fiber Failure Protection Switch/Coupler		
Controller Card	SNMP	RJ-45 10/100 Base-T (NaviNet® network management, web browser interface)	

Specifications subject to change

## ORDERING INFORMATION

## ORDER CODE

3RU frame with redundant power supplies and direct fiber output	MD003-16-MCD
3RU main frame with redundant power supplies and 16 channel CWDM fiber mux	MD003-16-MC
3RU remote frame with redundant power supplies and 16 channel CWDM fiber mux	MD003-16-RC
3RU main frame with redundant power supplies, 16 channel CWDM fiber mux and protection switch	MD003-16-MCP
3RU remote frame with redundant power supplies, 16 channel CWDM fiber mux and protection coupler	MD003-16-RCP
3RU main frame with redundant power supplies and single 8 channel CWDM fiber mux	MD003-S8-MC
3RU remote frame with redundant power supplies and single 8 channel CWDM fiber mux	MD003-S8-RC
3RU main frame with redundant power supplies, single 8 channel CWDM fiber mux and protection switch	MD003-S8-MCP
3RU remote frame with redundant power supplies, single 8 channel CWDM fiber mux and protection coupler	MD003-S8-RCP
3RU main frame with redundant power supplies and dual 8 channel CWDM fiber mux	MD003-D8-MC
3RU remote frame with redundant power supplies and dual 8 channel CWDM fiber mux	MD003-D8-RC
3RU main frame with redundant power supplies, dual 8 channel CWDM fiber mux and dual protection switch	MD003-D8-MCP
3RU remote frame with redundant power supplies, dual 8 channel CWDM fiber mux and dual protection coupler	MD003-D8-RCP
3RU main frame with redundant power supplies and quad 4 channel CWDM fiber mux	MD003-S4-MC
3RU remote frame with redundant power supplies and single 4 channel CWDM fiber mux	MD003-S4-RC
3RU main frame with redundant power supplies and first group 16 channel DWDM fiber mux	MD005-16-MC1
3RU remote frame with redundant power supplies and first group 16 channel CWDM fiber mux	MD005-16-RC1
3RU main frame with redundant power supplies, first group 16 channel DWDM fiber mux and protection switch	MD005-16-MC1P
3RU remote frame with redundant power supplies, first group 16 channel DWDM fiber mux and protection coupler	MD005-16-RC1P
3RU main frame with redundant power supplies and second group 16 channel DWDM fiber mux (32ch. total)	MD005-16-MC2
3RU remote frame with redundant power supplies and second group 16 channel CWDM fiber mux (32ch. total)	MD005-16-RC2
3RU main frame with redundant power supplies and single 8 channel DWDM fiber mux	MD005-S8-MC
3RU remote frame with redundant power supplies and single 8 channel DWDM fiber mux	MD005-S8-RC
3RU main frame with redundant power supplies, single 8 channel DWDM fiber mux and protection switch	MD005-S8-MCP
3RU remote frame with redundant power supplies, single 8 channel DWDM fiber mux and protection coupler	MD005-S8-RCP
110 - 240 VAC power supply	MD003-3U-ACPS
-48 VDC power supply	MD003-3U-DCPS

Media Links, INC  
1294 Blue Hills Avenue,  
Bloomfield, CT 06002,  
USA  
Phone +1 860-206-9163  
Fax +1 860-206-9165  
info@medialinks.com

Media Links Systems GmbH  
Röntgenstrasse 3  
D-64291 Darmstadt  
Germany  
Phone +49 6151-9385-0  
Fax +49 6151-9385-35  
info@medialinks.eu

www.medialinks.com

**MEDIA LINKS®**